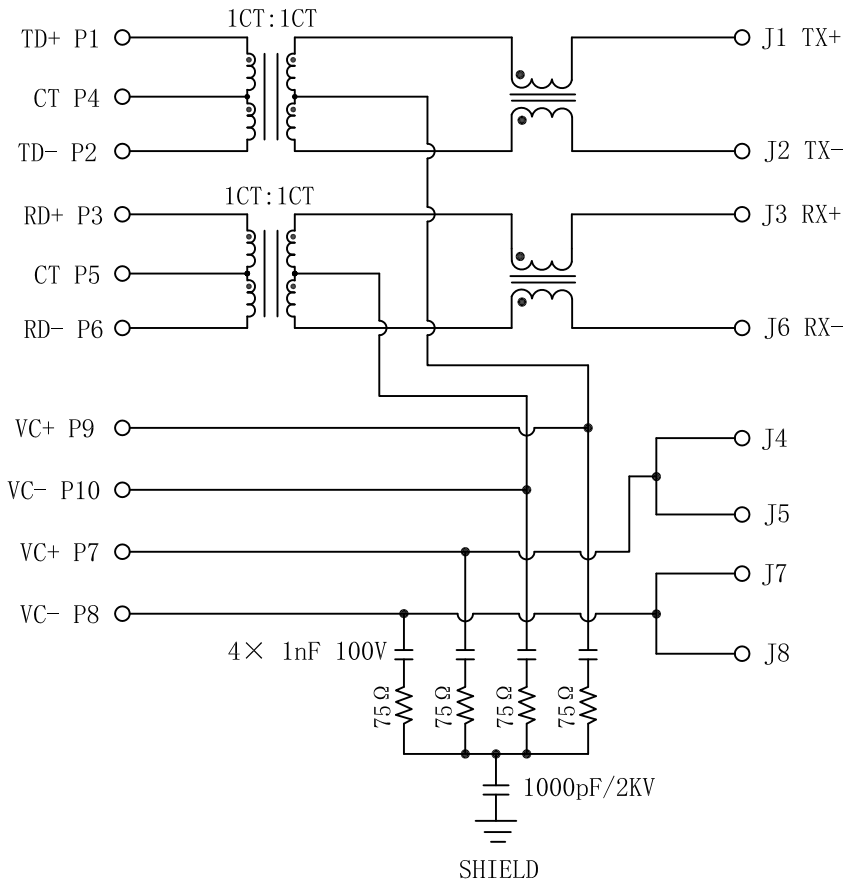


Schematic:

REV.	ECN NO.	DESCRIPTION	DATE	APPD
A	REL		2013-12-28	

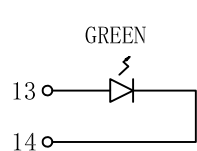
PCB CONNECTIONS



RJ45 CONNECTOR

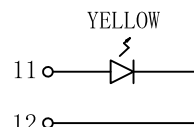
Electrical Specifications @25°C

- Turns Ratio(100KHz, 0.1V):
PINS: (P1-P2):(J1-J2)=1:1 ±3%
PINS: (P3-P6):(J3-J6)=1:1 ±3%
- OCL(100KHz, 100mV, 8mA, DC Bias):
PINS: (P1, P2), (P3, P6)=350uH Min
- Insertion Loss:
0.3-100MHz:-1.0dB Max
- Return Loss(dB Min):
1-30MHz:-20 30-60MHz:-15
60-80MHz:-10
- Crosstalk:
1-100MHz:-30 dB Min
- Common to Common Mode Rejection:
1-100MHz:-30dB Min
- Balanced DC Line Current: used pairs 350mA Max
- Hipot: 1500Vrms/0.5mA/2sec Min
- Operating Temperature Range: -40°C ~ +85°C.



LEFT LED

LED POLARITY		COLOR
PIN 13	PIN 14	
+	-	GREEN



RIGHT LED

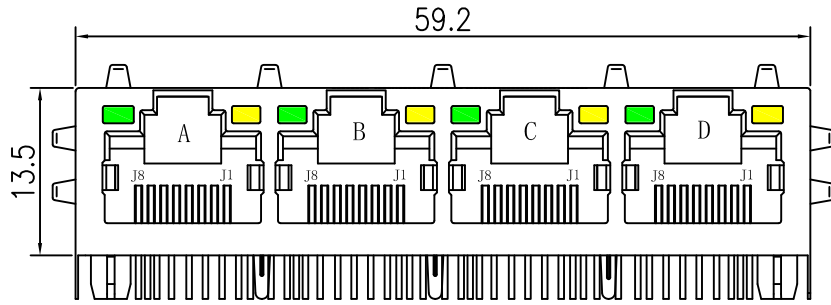
LED POLARITY		COLOR
PIN 11	PIN 12	
+	-	YELLOW

Emitting Color	λ p(nm)	VF@IF=20mA	IR @VR=5V
GREEN	565	1.8~2.4V	10 μA max
YELLOW	585	1.8~2.4V	10 μA max

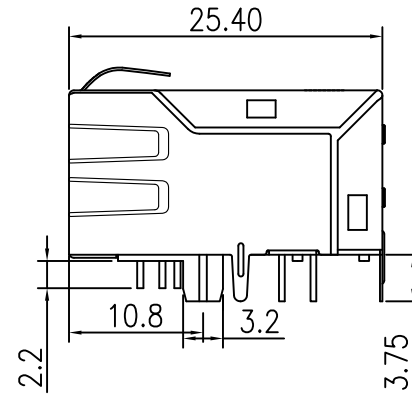
X:X	±0.30	APPD:	LINK-PP INT'L TECHNOLOGY CO., LIMITED
X:XX	±0.25	CHKD:	
X:XXX	±0.05	DR: TOM	TITLE: 1*4 RJ45 Connector With 10/100 Base-TX Integrated Magnetic For PoE Application
ANGLES	±1°	UNIT: mm	PART NO.: LPJ48153AENL
	SCALE: 2/1	SHEET: 1/2	REV: A DWG: LP18033002

Mechanical:

REV.	ECN NO.	DESCRIPTION	DATE	APPD
A	REL		2013-12-28	



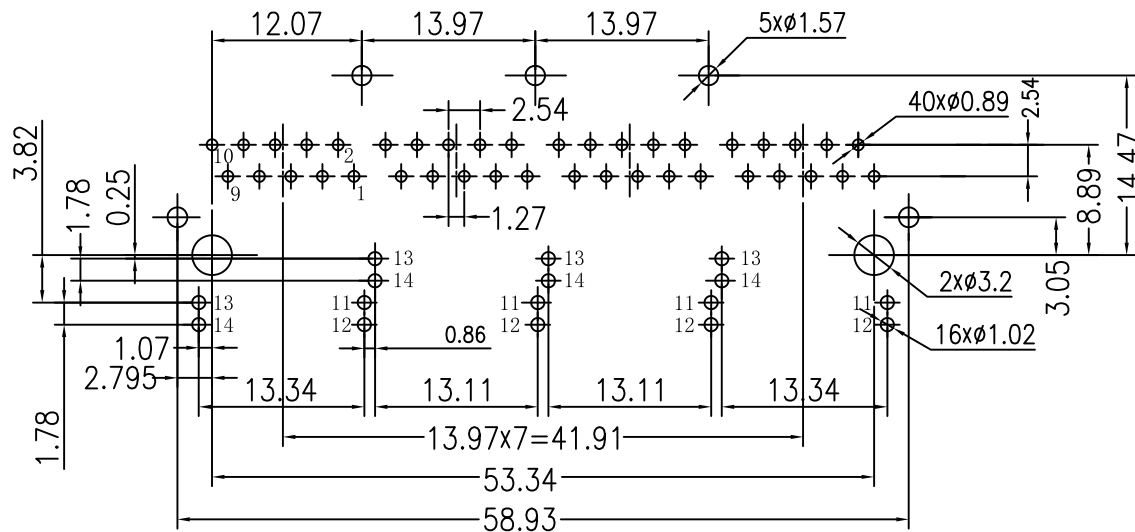
Front Side View



Left Side View



Top Side View



Suggested PCB Layout (Top View)



NOTES:

1. Meets IEEE 802.3 specification
2. Connector Materials:
 Housing Material: Thermoplastic PA66+30%G.F UL94V-0
 Contact Material: Phosphor Bronze C5210R-EH Thickness=0.35mm
 Pins: Brass C2680R-H Thickness=0.35mm
 Shield: SUS S201-1/2H Thickness=0.2mm
 Contact plating: Gold 6 micro-inches min. In contact area.
3. Wave solder tip temperature: 265°C Max, 5 Sec.
4. UL Certification: File Number E484635

X:X	±0.30	APPD:	LINK-PP INT'L TECHNOLOGY CO., LIMITED
X:XX	±0.25	CHKD:	
X:XXX	±0.05	DR: TOM	TITLE: 1*4 RJ45 Connector With 10/100 Base-TX Integrated Magnetic For PoE Application
ANGLES	±1°	UNIT: mm	PART NO.: LPJ48153AENL
	SCALE: 2/1	SHEET: 2/2	REV: A DWG: LP18033002