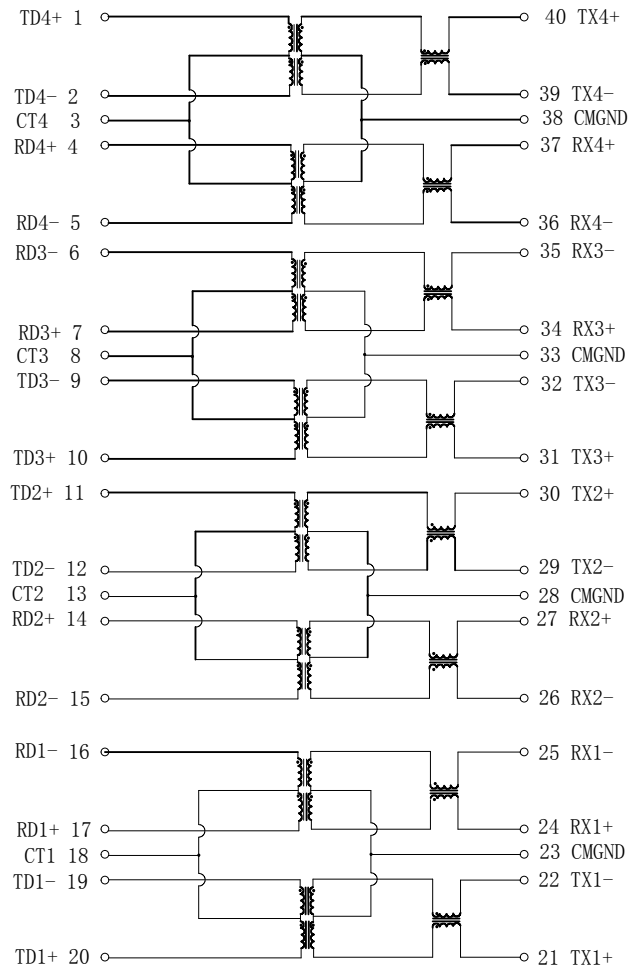


Schematic:

REV.	ECN NO.	DESCRIPTION	DATE	APPD
A	REL		2010/05/13	



Electrical Specifications @25°C

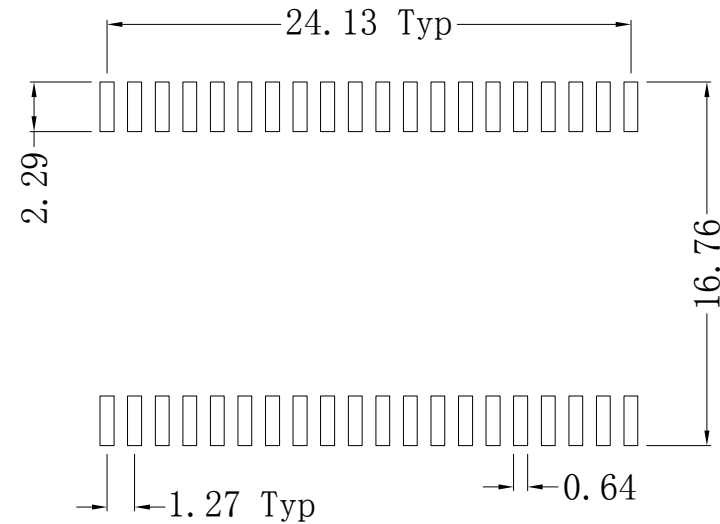
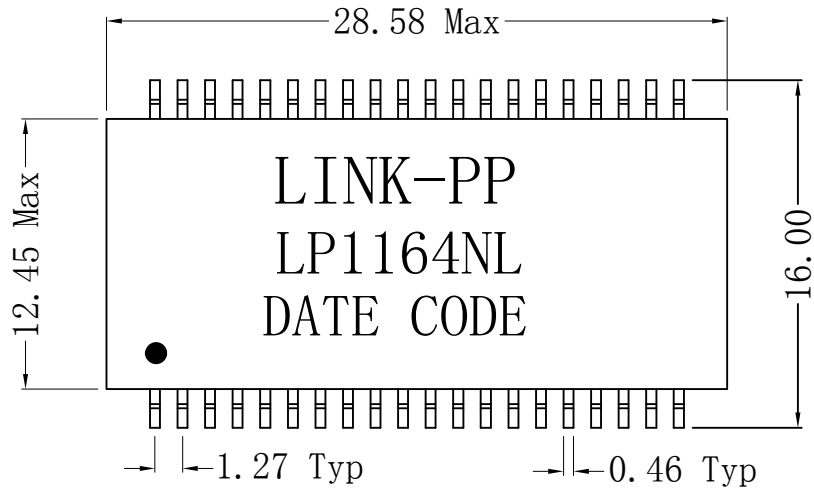
- Turns Ratio ($\pm 5\%$):
TX=1CT : 1CT RX=1CT : 1CT
- Insertion Loss:
0.1-100MHz: -1.0dB MAX
- Return Loss (dB MIN):
2-30MHz: -18; 40MHz: -14.4
50MHz: -13.1; 60-80MHz: -12
- Crosstalk (dB MIN):
0.1MHz: -55; 30MHz: -45
60MHz: -40; 100MHz: -33
- DCMR (dB MIN):
1-60MHz: -37; 60-200MHz: -25
- Hipot: 1500Vrms
- Operating Temperature: -40°C ~ +85°C.



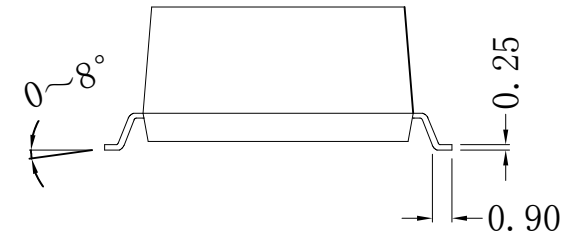
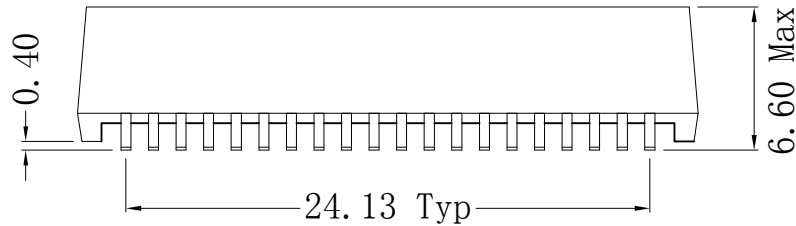
X:X	APPD:	LINK-PP INT'L TECHNOLOGY CO., LIMITED		
X:XX	CHKD:	TITLE: Quad Port 10/100Base-T Transformer Modules		
X:XXX	DR: TOM	PART NO.: LP1164NL		
ANGLES $\pm 1^\circ$	UNIT: mm	DWG NO.: LP10051229		
	SCALE: 2/1	SHEET: 1/2	REV: A	

Mechanical :

REV.	ECN NO.	DESCRIPTION	DATE	APPD
A	REL		2010/05/13	



SUGGESTED PAD LAYOUT



Dimensions: mm
Unless otherwise specified, all tolerances are ± 0.25

NOTES:

1. Designed to support application, such as SOHO (ADSL modems), LAN-on-Motherboard (LOM), hub and Switches.
2. With various Turns Ratios.
3. 350uH min OCL with 8mA bias current.
4. RoHS "NL" peak solder rating 260°C.



X:X	APPD:	LINK-PP INT'L TECHNOLOGY CO., LIMITED		
X:XX	CHKD:	TITLE: Quad Port 10/100Base-T Transformer Modules		
X:XXX	DR: TOM	PART NO.: LP1164NL		
ANGLES $\pm 1^\circ$	UNIT: mm	SCALE: 2/1	SHEET: 2/2	REV: A
		DWG NO.: LP10051229		

Sales Department A-B2

Sales Engineer / Summer Ming - 明夏

Tel: 0086-752-3322915 Mob: 0086-180-2668-6530

Fax: 0086-752-3161926

E-mail: Summer@link-pp.com

www.link-pp.com

LINK- PP INT'L TECHNOLOGY CO., LIMITED

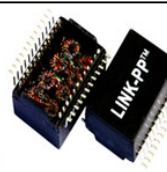
Jia An Industrial Park, Chenjiang Rd, Zhongkai Hightech Zone, Huizhou City,
516003, China




RoHS




Reach



LINK- PP INT'L TECHNOLOGY CO., LIMITED

Seris : LPJXXXXXXXX / LPXXXXXXXX / LPAXXXXXXX